

Sliding door profile AI 45 Cap, end piece

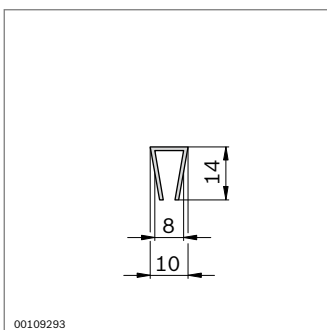
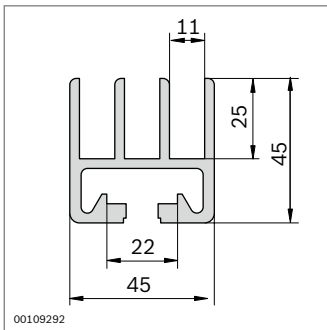


Sliding door profile AI 45

- ▶ Aluminum profile as a supporting construction element
- ▶ Installation using inner brackets between two vertical struts
- ▶ Slide profile to edge the upper part of the sliding door
- ▶ Insertion profile acts as a slide surface
- ▶ For surface elements of a thickness of 8 mm
- ▶ Insertion of the surface element into closed frame

Accessories:

- ▶ cap (p. 8-25)
- ▶ end piece (p. 8-25)
- ▶ inner bracket (p. 3-13), inner bracket R (p. 3-14)

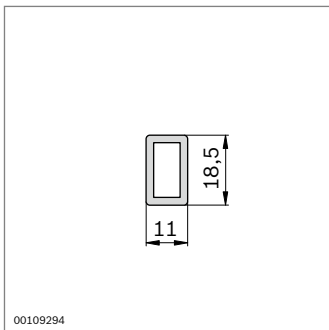


Sliding door profile	L (mm)	No.
1 pc	100 ... 5600	3 842 990 115 / L
1 pc F1 F1	100 ... 5600	3 842 990 116 / L
20 pcs	5600	3 842 509 177

Material: Aluminum, anodized

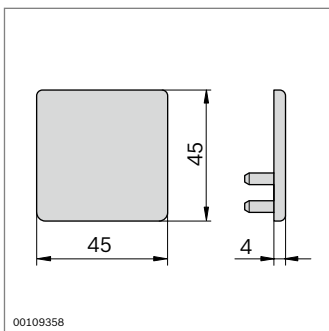
Slide profile	L (mm)		No.
	3000	10	3 842 146 905

Material: Hard PVC, black



Insertion profile	L (mm)		No.
	3000	10	3 842 146 902

Material: PA; black

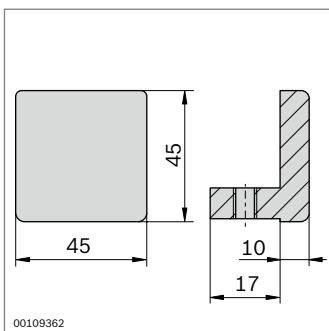


Cover cap

- ▶ As a design element and to prevent injuries

Cover cap	ESD		No.
		20	3 842 242 404

Material: PA, conductive, black



End piece

- ▶ For use as a stop for sliding elements
- ▶ Clamping with setscrew in the profile slot

End piece	ESD		No.	FS
		20	3 842 191 194	FS1

Material: Die-cast aluminum

Scope of delivery: Incl. fastening material (FS)