

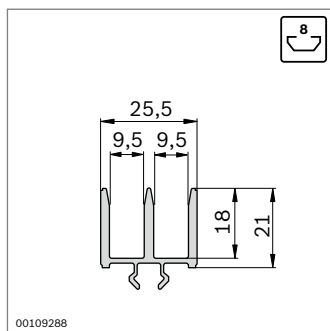
### Sliding door profile PVC



- ▶ Can be clipped into the supporting frame made of strut profiles
- ▶ Round rod to minimize the displacement force required
- ▶ For surface elements of a thickness of 8 mm
- ▶ Insertion of the surface element into closed frame

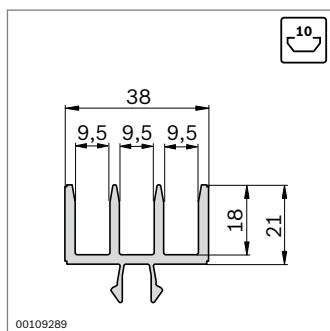
Accessories, optional:

- ▶ Edge protector (p. 8-26)
- ▶ Door handle profile (p. 8-26)
- ▶ Bow-type handle (p. 8-17)



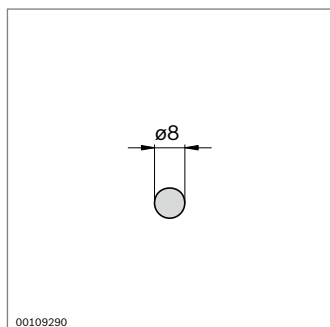
Sliding door profile PVC	Slot	L (mm)		No.
	8	2000	10	<b>3 842 526 588</b>

Material: PVC; black



Sliding door profile PVC	Slot	L (mm)		No.
	10	2000	10	<b>3 842 526 591</b>

Material: PVC; black



Round rod	L (mm)		No.
	2000	10	<b>3 842 516 694</b>

Material: PE; black