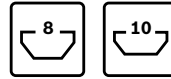
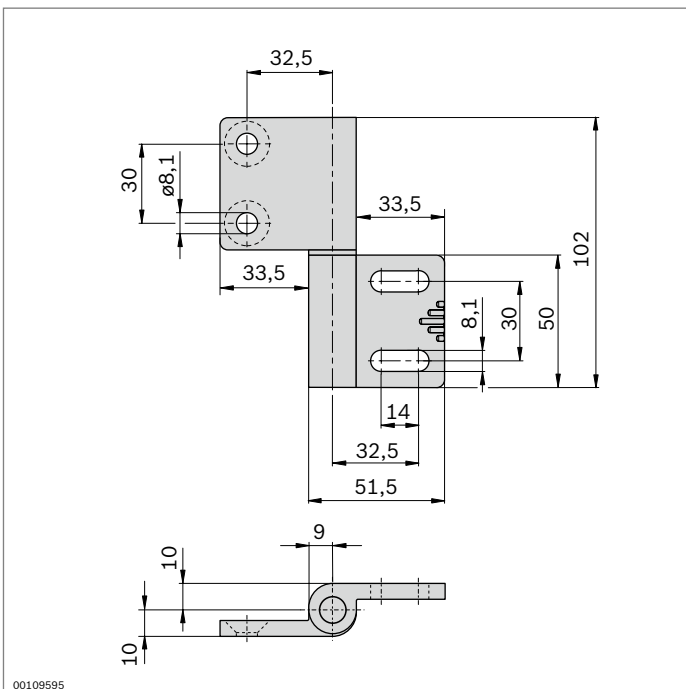
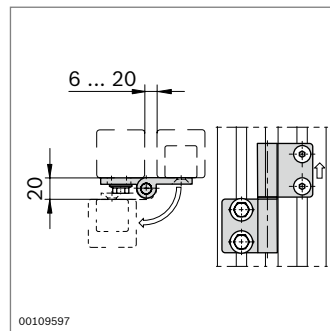
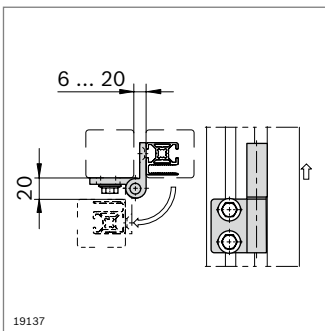
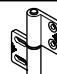


Hinge, adjustable



- ▶ For constructing large, heavy doors
- ▶ Adjustable for compensating clearance tolerances
- ▶ Removable
- ▶ For left and right stop
- ▶ Opening angle approx. 180°



Hinge, adjustable	No.	FS
	2 3 842 544 562	2xFS1, 2xFS2

Material: Diecast aluminum
 Fastening material: steel; galvanized
 Scope of delivery: Incl. fastening material (FS)

