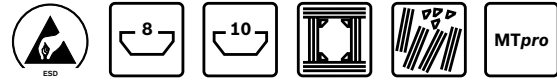


$B_E =$	B - 45 - 80	(P = 40L)
$B_E =$	B - 45 - 90	(P = 45L)
$B_E =$	B - 45 - 120	(P = 60L)

Material shelves



- ▶ Material shelves for ergonomic accessibility of containers (Kanban), materials, measuring instruments and other aids at Rexroth workstations
- ▶ For implementing the 2-bin system
- ▶ Can be attached at any desired incline, height or offset
- ▶ Material shelf Economic (**A**) with frame profile 22.5x30
- ▶ Material shelf Basic (**B**) with frame profile 22.5x45 with docking aids for easy loading and removal of materials
- ▶ Plates
 - PP: light gray
 - SB: ESD-conductive; black; recommended accessory: ESD mat insert
 - Aluminum: for heavy loads (material shelf Basic)
- ▶ Attachment fixed with brackets (included) or swiveling with swivel fastening
- ▶ Customized assembly possible from individual components (see “Components” chapter)

Scope of delivery: includes brackets for fastening on 10 mm slot

Accessories: Swivel fastening (see page 178, 179), ESD mat insert (see page 63)

Condition on delivery of material shelf with standard dimensions: fully assembled

Condition on delivery of material shelf, parameterizable: Disassembled, completely assembled

See technical data (page 194)

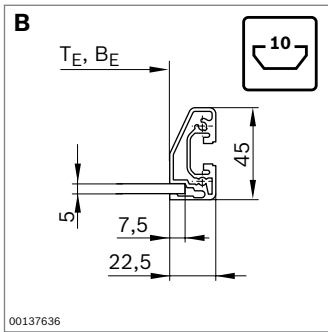
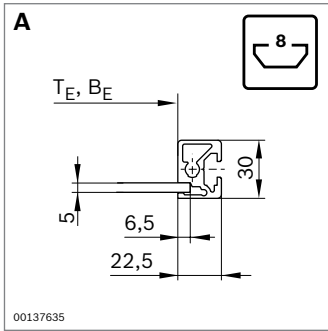


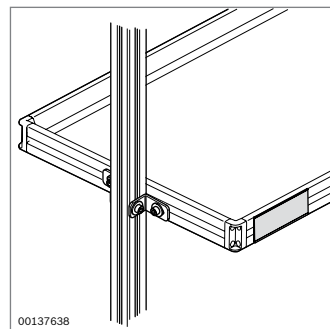
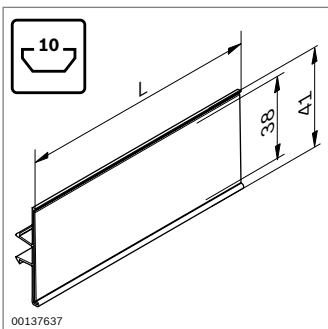
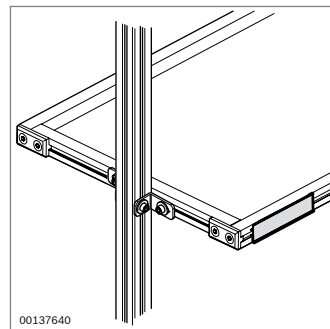
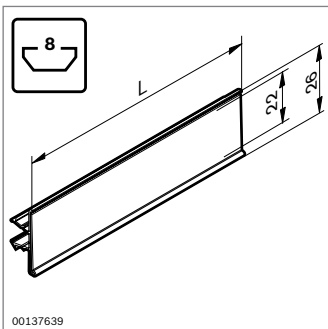
	Plate	B _E (mm)	T _E (mm)	ESD	No.
A Material shelf Economic	PP	610	410		3 842 538 456
		855	410		3 842 538 457
	SB	610	410		3 842 538 458
		855	410		3 842 538 459

B Material shelf Basic, plate PP		3 842 998 183
A	Design	Disassembled; assembled
B _E	Material shelf width	200 ... 1000 mm
T _E	Material shelf depth	310 ... 1000 mm

B Material shelf Basic, plate SB			3 842 998 184
A	Design		Disassembled; assembled
B _E	Material shelf width		200 ... 1000 mm
T _E	Material shelf depth		310 ... 1000 mm

B Material shelf Basic, plate aluminum		3 842 998 155
A	Design	Disassembled; assembled
B _E	Material shelf width	200 ... 1480 mm
T _E	Material shelf depth	310 ... 1220 mm

	Plate	B _E (mm)	T _E (mm)	ESD	No.
B Material shelf Basic	PP	610	410		3 842 538 460
	SB	610	410		3 842 538 461

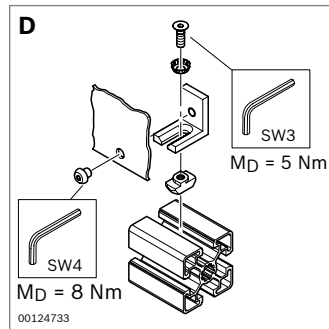
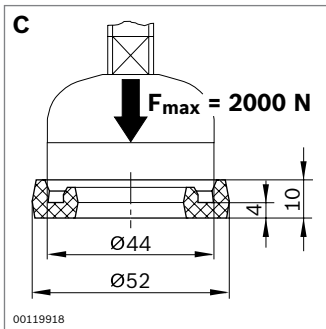


Lettering clips

- ▶ For labeling material shelves
- ▶ Suitable for labeling all profiles with 8 mm or 10 mm slot
- ▶ For clipping into the slot

Color: Light gray (7035); transparent

	L (mm)		No.
Clip N8	2000	20	3 842 537 113
	102	20	3 842 537 650
Clip N10	2000	20	3 842 537 116
	102	20	3 842 537 651



Damping ring (C)

- Insulates frames from conductive floors, protects floors and prevents vibrations from being transmitted.

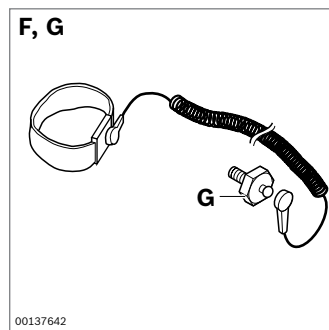
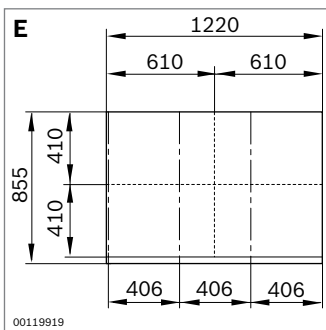
Material: PUR; resistant to oils and organic solvents

Color: natural

Shore hardness A: 70–80

Potentialfix (D)

- For defined grounding of surface elements such as side panels.



Conductive mat insert (E)

- To protect ESD-sensitive components
- To create a safe conductive connection, e.g., to ESD material shelves, we recommend using adhesive copper tape.
- Bleeder resistance $R_{gp}/R_{pp} = 10^4 \dots 10^9 \Omega$ (DIN EN 61340-5-1)

Material: natural rubber

Thickness: 2 mm

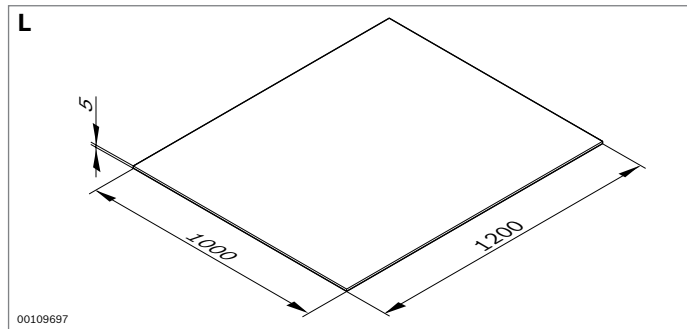
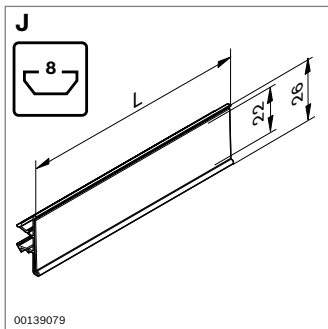
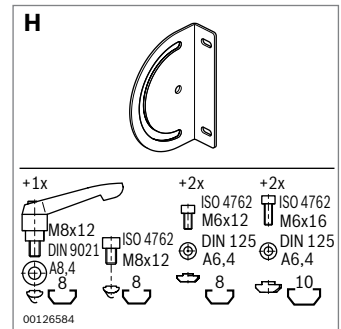
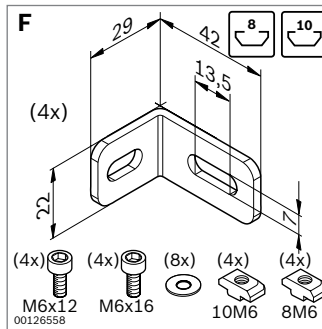
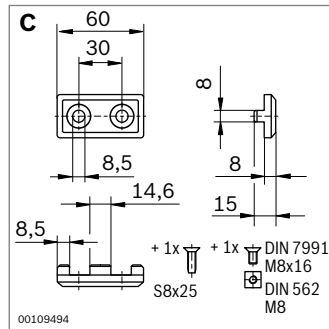
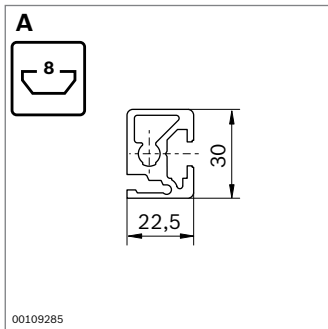
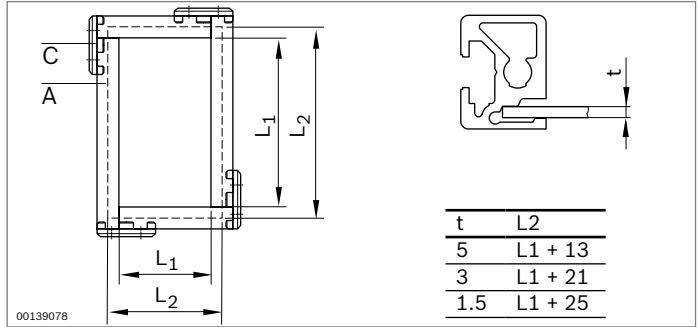
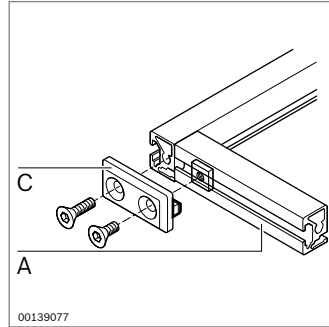
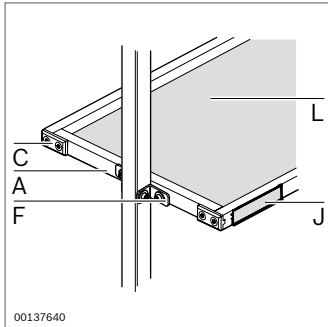
Wrist band (F)

- Wrist band (F) with connection piece (G) for defined grounding of people and protection of ESD-sensitive components

Required accessories: M6 T-nuts for 10 mm slot

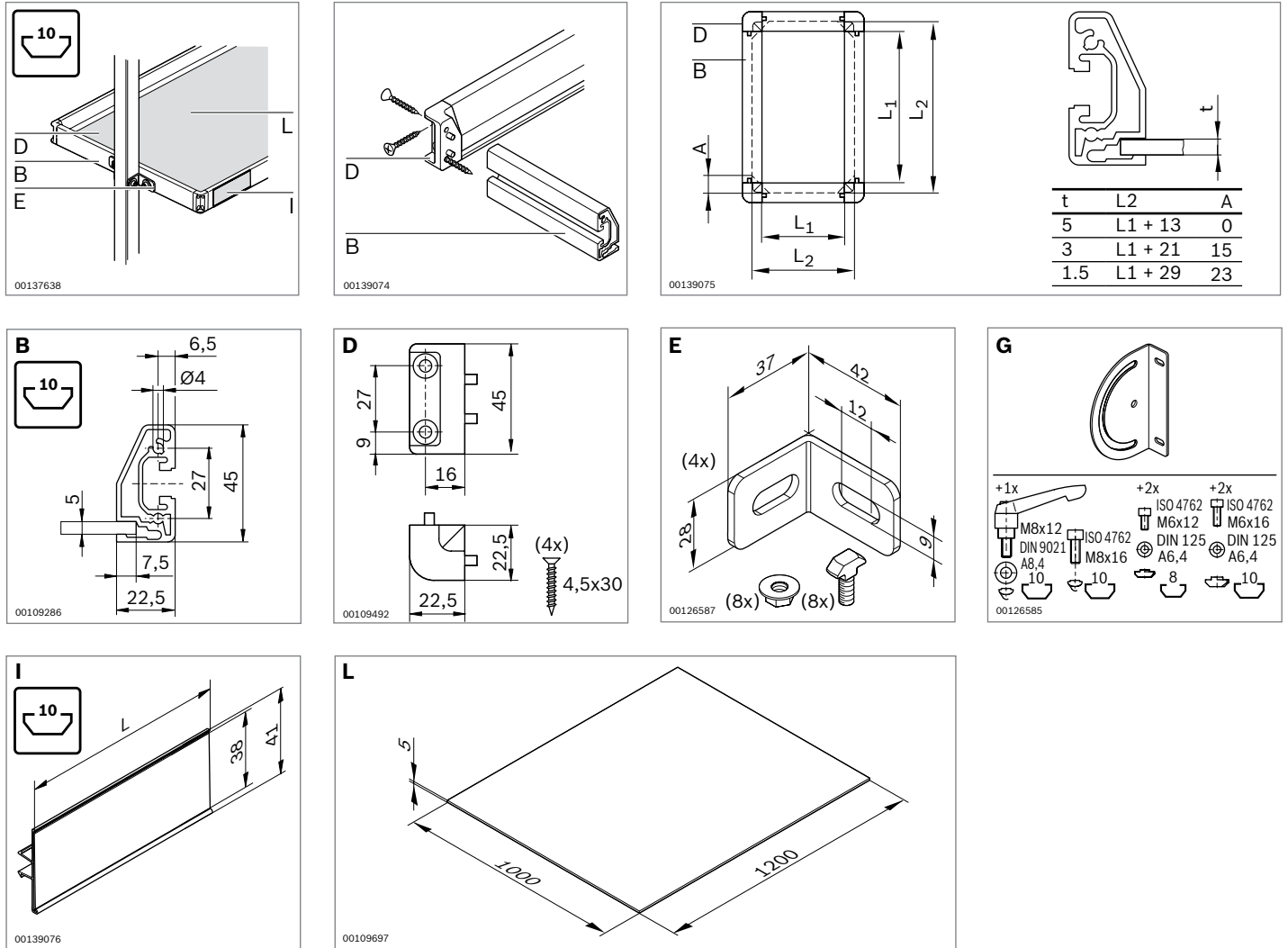
Material shelf assembly elements

Material shelf Economic



	L (mm)			ESD	No.
A 22.5x30 frame profile; material: aluminum; anodized	30 ... 5600	1			3 842 992 493/L
	5600	20			3 842 515 229
C 22.5x30 corner piece; material: PA; black			20		3 842 554 709
	22.5x30 corner piece; material: PA; gray		20		3 842 554 708
F M6 bracket set, incl. fastening material for 8/10 mm slot; material: steel; galvanized				Set	3 842 537 862
H Swivel fastening, incl. fastening material for 8 mm slot; material: steel; galvanized				Set	3 842 538 275
J Lettering clip for 8 mm slot; material: PVC	2000		20		3 842 537 113
	102		20		3 842 537 650
L Plate for frame profile; material: PP; gray, smooth on one side, textured on the other					3 842 516 837
	Plate for frame profile; material: SB; black, smooth on both sides				3 842 516 838

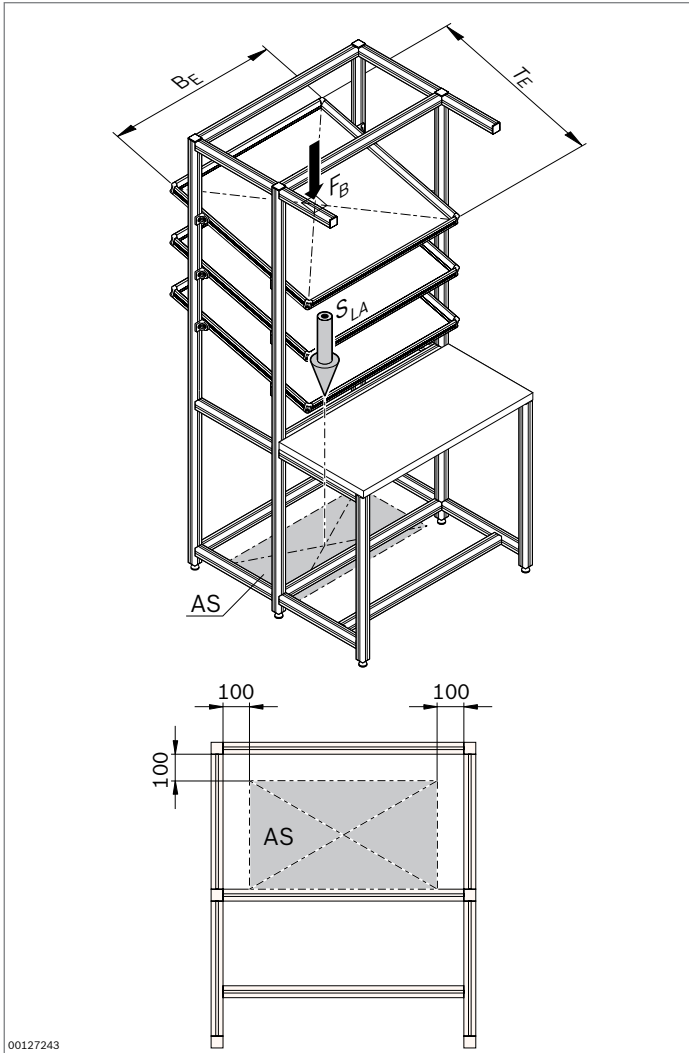
Basic material shelf



t	L2	A
5	L1 + 13	0
3	L1 + 21	15
1.5	L1 + 29	23

+1x	+2x	+2x
M8x12 DIN 9021	ISO 4762 M6x12	ISO 4762 M6x16
A8,4	DIN 125 A6,4	DIN 125 A6,4
10	8	10

	L (mm)		ESD	No.
B 22.5x45C frame profile; material: aluminum; anodized	30 ... 5600	1		3 842 992 411/L
	5600	20		3 842 508 102
D 22.5x45 corner piece; material: diecast zinc		20	⚠	3 842 535 637
E M6 bracket set, incl. fastening material for 10 mm slot; material: steel; galvanized		Set		3 842 537 861
G Swivel fastening, incl. fastening material for 10 mm slot; material: steel; galvanized		Set		3 842 538 276
I Lettering clip for 10 mm slot; material: PVC	2000	20		3 842 537 116
	102	20		3 842 537 651
L Plate for frame profile; material: PP; gray, smooth on one side, textured on the other				3 842 516 837
	Plate for frame profile; material: SB; black, smooth on both sides		⚠	3 842 516 838



Basic material shelf

S_{LA} Gravity vector
 AS Permissible position of the line of action of the gravity vector S_{LA}

3 842 998 183 (see page 27)

3 842 998 184 (see page 27)

3 842 998 155 (see page 27)

Max. material shelf loads

	T_E (mm)	1220	1220	840	765	1000	1000	840	765
	B_E (mm)	1480	840	1480	840	1000	840	1000	840
Plate: aluminum	F_B (N)	700	700	700	1000				
Plate: PP, SB	F_B (N)					250	280	280	360

F_B is a distributed load and may not occur as a point load.