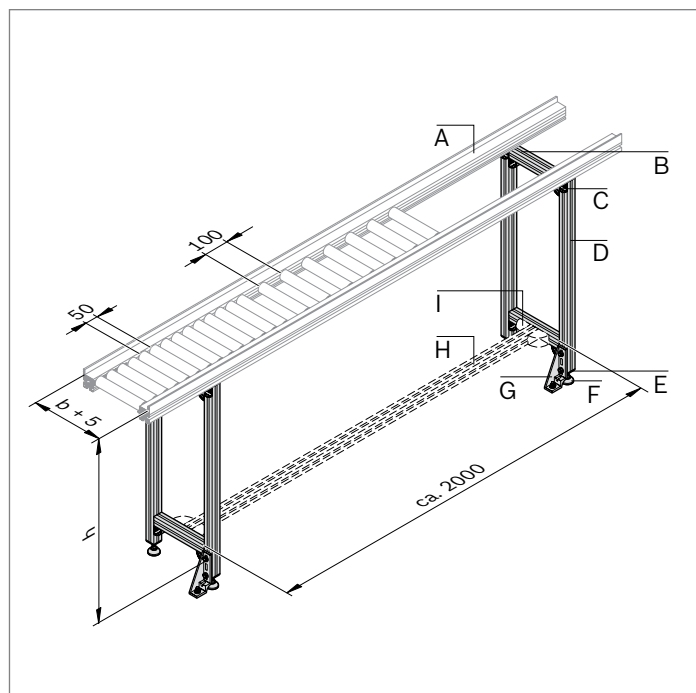


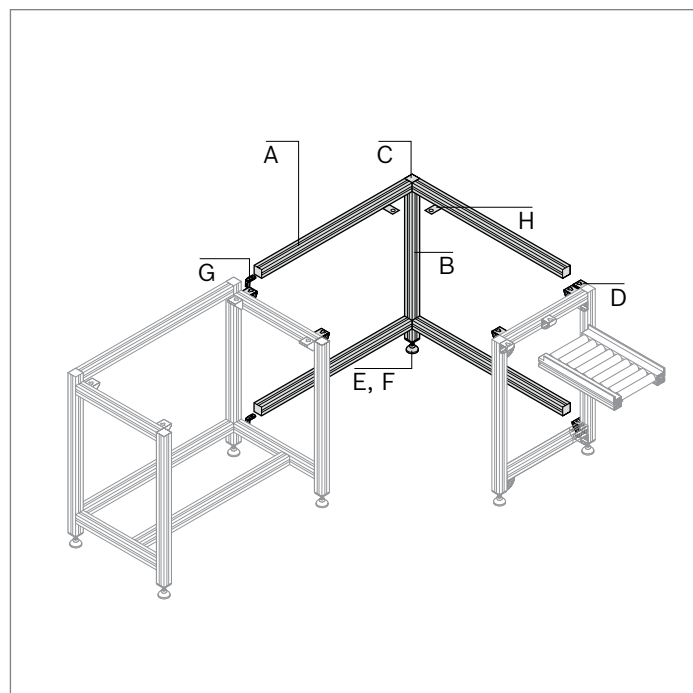
Application 1: manual slide section



00137588

Application 1		No.
A	1 x EcoFlow conveyor track with stop plate	3 842 998 278
B	4 x 45x45 strut profile	3 842 993 737
C	12 x 45x45 bracket	3 842 523 561
D	4 x 45x45L strut profile	3 842 993 737
E	4 x 45x5 cap (with hole)	3 842 548 797
F	4 x Leveling foot	3 842 352 061
G	2 x 45x180 bracket	3 842 523 583
H	1 x 45x45L strut profile	3 842 993 737
I	4 x 45x45 bracket	3 842 523 561

Application 2: corner frame



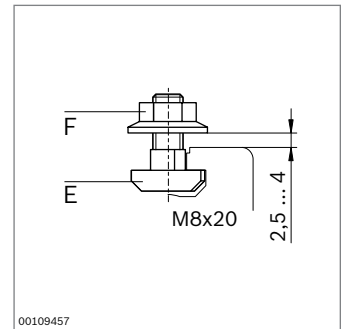
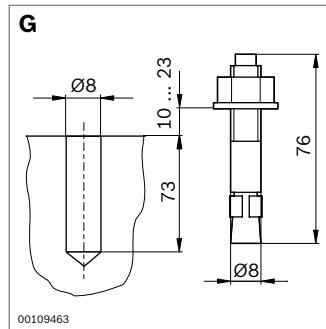
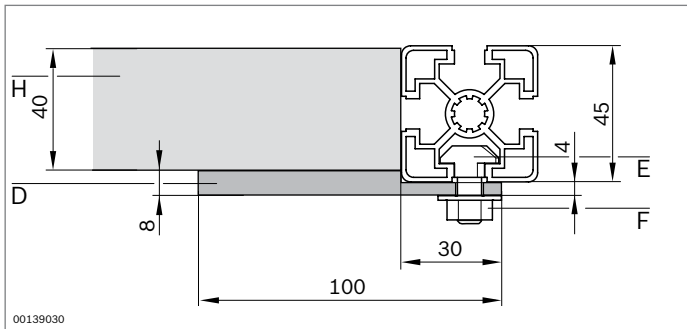
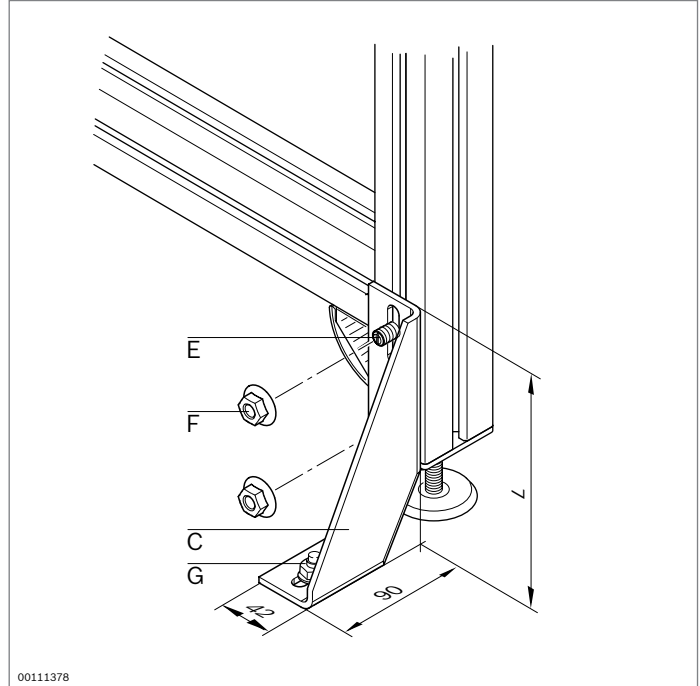
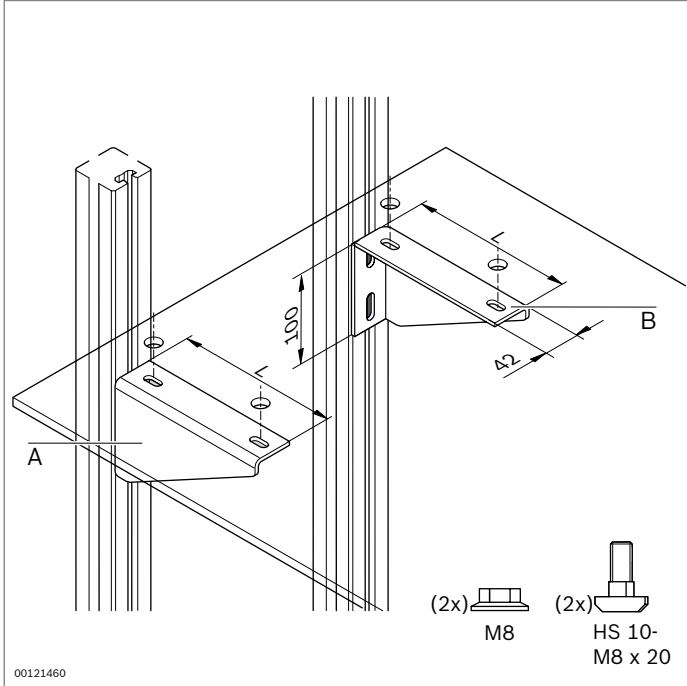
00137587

Application 2		No.
A	4 x 45x45L strut profile	3 842 993 737
B	1 x 45x45L strut profile	3 842 993 737
C	1 x 45x45 cap	3 842 548 753
D	6 x 45x45 bracket	3 842 523 561
E	1 x 45x45 cap (with hole)	3 842 548 797
F	1 x Leveling foot	3 842 352 061
G	6 x Inner bracket	3 842 535 571
H	1 x Table top supports (set)	3 842 521 677

For simple and efficient planning, we recommend using MTpro! See pages 12 and 13 for more information.

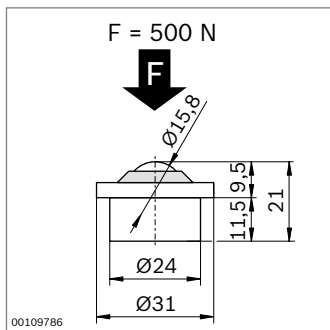
See also technical data (page 209)

Supporting brackets
Foundation brackets
Table top supports



	L (mm)		ESD	No.
A Left supporting bracket, with fastening material for 10 mm slot; material: sheet steel; powder-coated, RAL 7037	255		⚠	3 842 536 119
	335		⚠	3 842 536 121
	415		⚠	3 842 536 123
	495		⚠	3 842 536 125
B Right supporting bracket, with fastening material for 10 mm slot; material: sheet steel; powder-coated, RAL 7037	255		⚠	3 842 536 120
	335		⚠	3 842 536 122
	415		⚠	3 842 536 124
	495		⚠	3 842 536 126
C Foundation bracket; material: sheet steel; galvanized	160	20	⚠	3 842 146 815
	210	20	⚠	3 842 146 848
D Table top support, with fastening material for 10 mm slot		2		3 842 521 677
E M8x20 T-bolt			100	3 842 528 715
F M8 flange nut			100	3 842 345 081
G Floor dowel			100	3 842 526 560
H Table top				3 842 998 250

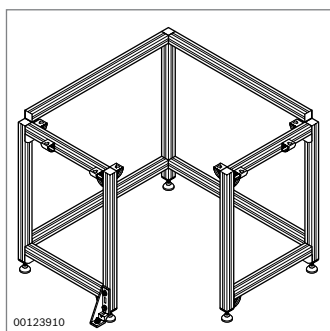
Manual linking system (EcoFlow)



F_{max} (N)	500
---------------	-----

EcoFlow ball roller

3 842 541 008 (see page 139)



F_{max} (N)	1000	1500

Frame for corner table top

(see page 133)

- Point load
- Distributed load