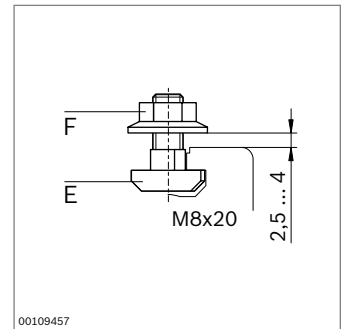
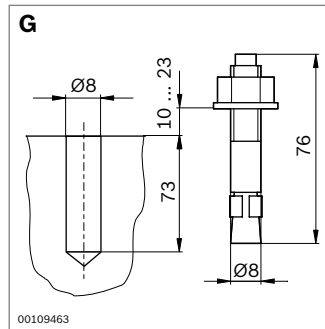
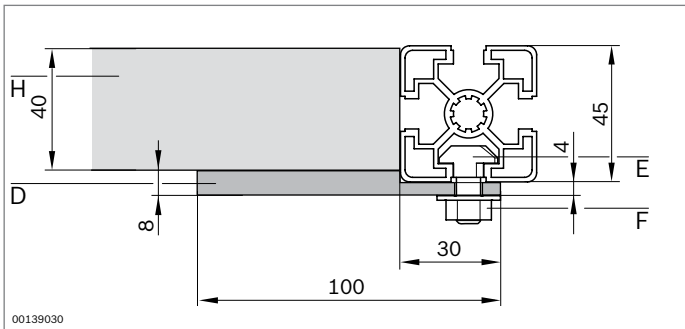
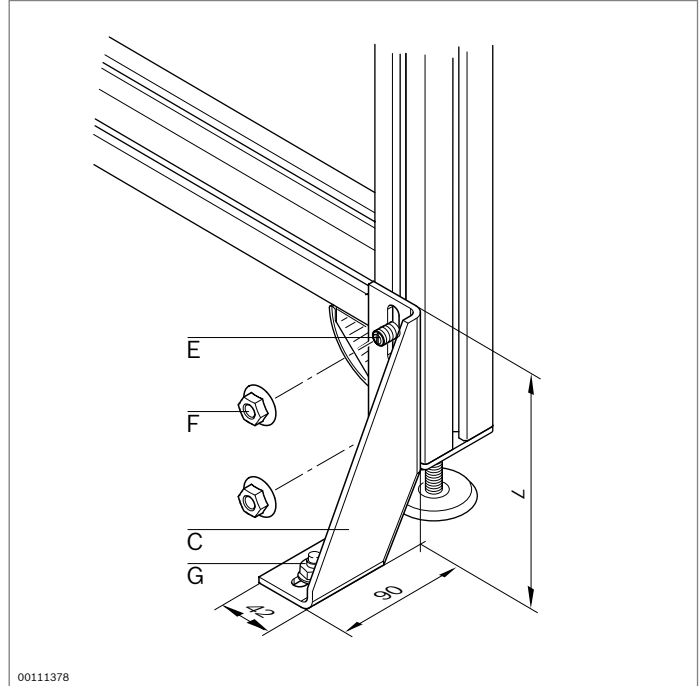
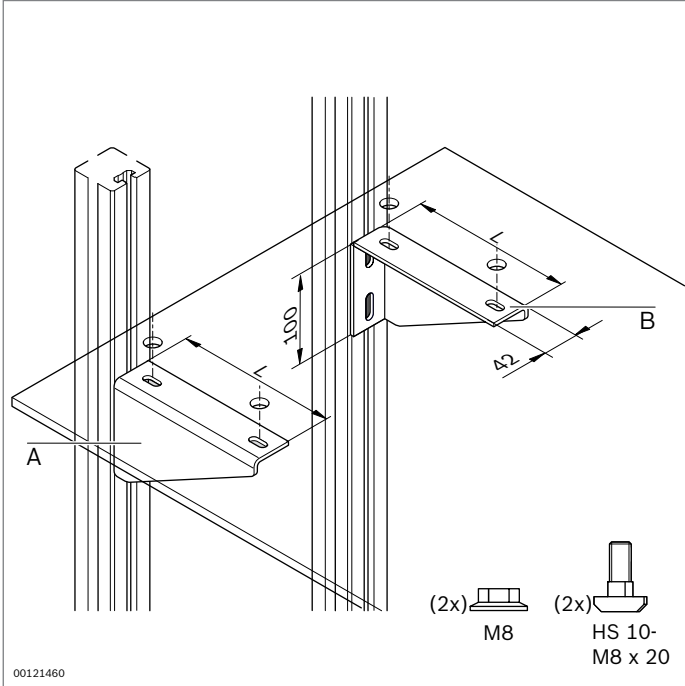


Supporting brackets
Foundation brackets
Table top supports



	L (mm)		ESD	No.
A Left supporting bracket, with fastening material for 10 mm slot; material: sheet steel; powder-coated, RAL 7037	255		⚠	3 842 536 119
	335		⚠	3 842 536 121
	415		⚠	3 842 536 123
	495		⚠	3 842 536 125
B Right supporting bracket, with fastening material for 10 mm slot; material: sheet steel; powder-coated, RAL 7037	255		⚠	3 842 536 120
	335		⚠	3 842 536 122
	415		⚠	3 842 536 124
	495		⚠	3 842 536 126
C Foundation bracket; material: sheet steel; galvanized	160	20	⚠	3 842 146 815
	210	20	⚠	3 842 146 848
D Table top support, with fastening material for 10 mm slot		2		3 842 521 677
E M8x20 T-bolt			100	3 842 528 715
F M8 flange nut			100	3 842 345 081
G Floor dowel			100	3 842 526 560
H Table top				3 842 998 250